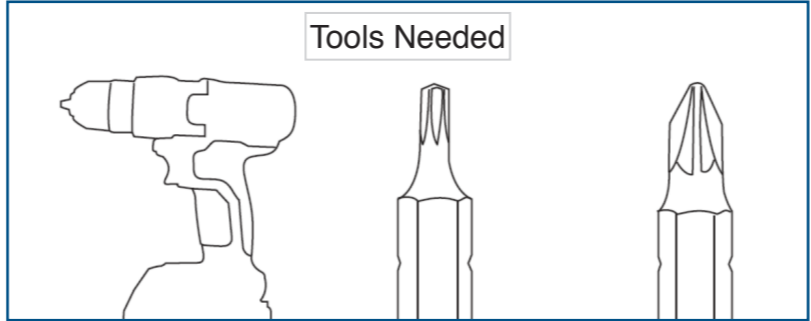
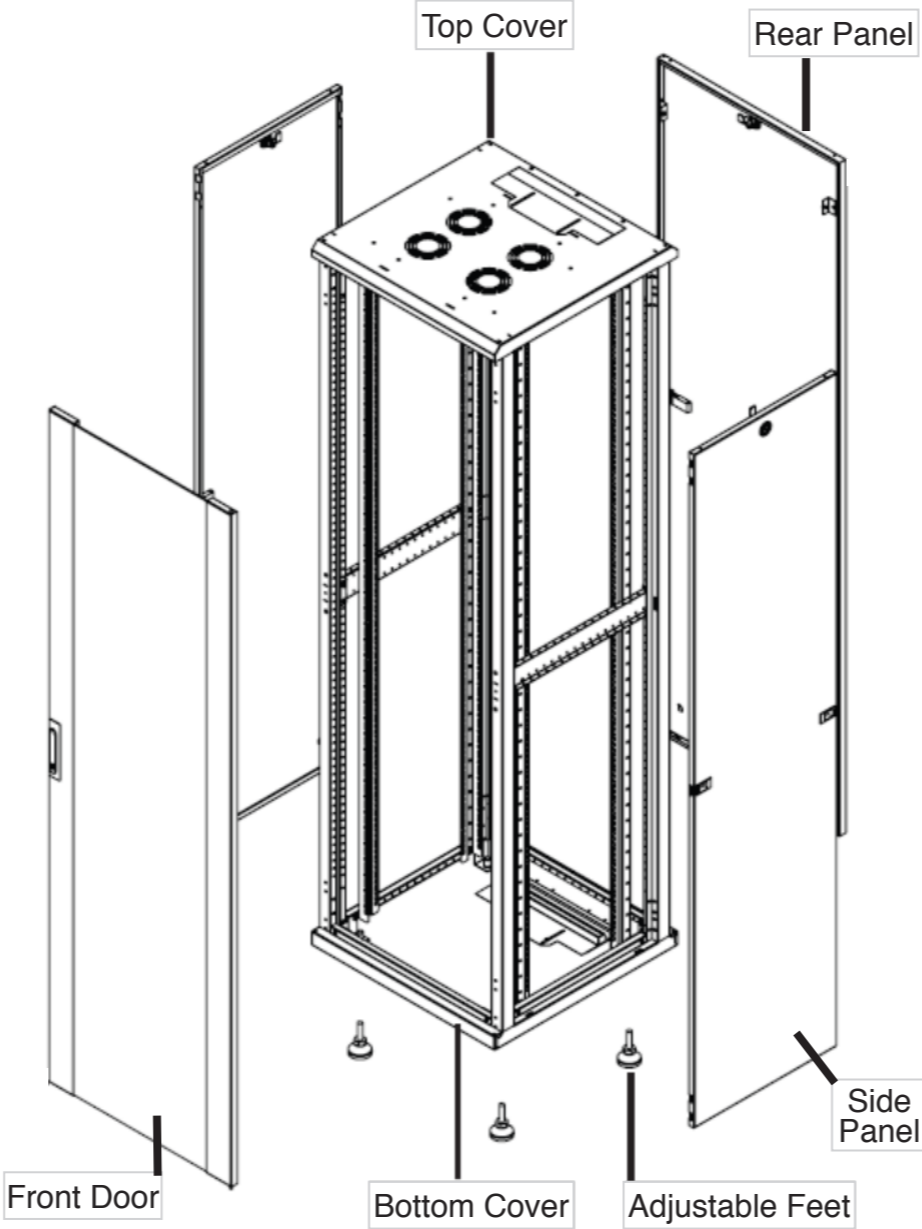


Server & Network Cabinets

Assembly Instructions



1 Attach the Adjustable Feet to the Bottom Cover

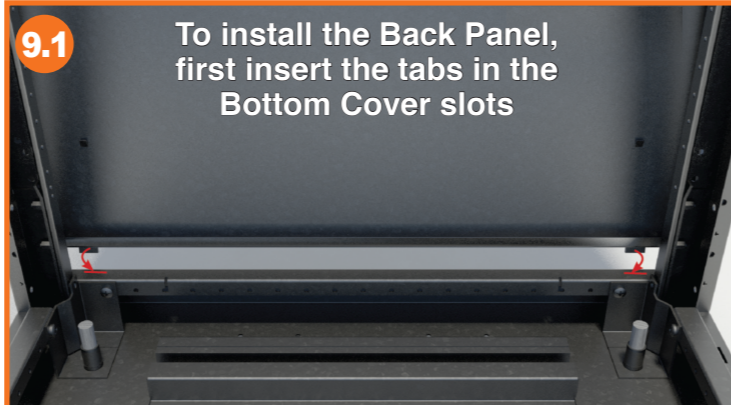
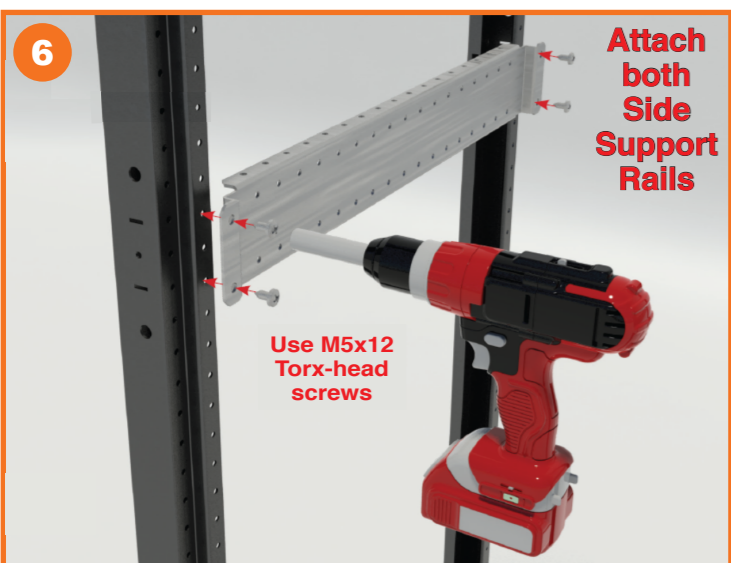
Note: Cable entry is at the rear

2 Set the Vertical Profiles on the Bottom Cover

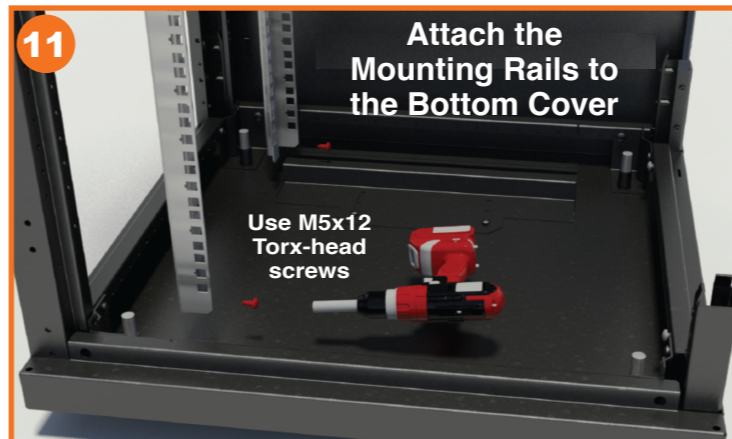
Insert each profile as shown

3 Secure the Vertical Profiles on the inside using M5x12 Phillips-head screws

Do not overtighten: It can damage the screws



* Steps 10-12 are for 600mm-wide cabinets. For cabinets that are 800 mm wide, jump to Step 13.1.
Caution: The mounting rails are attached to the cabinet at 3 points: Be sure they are a safe distance from the door.



* Steps 13.1 & 13.2 are for 800mm-wide cabinets.
13.1 Attach a pair of adapters to each side support rail (on the left and right sides of the cabinet interior).
13.2 Attach the mounting rails:
 • First, to the adapter
 • Next, to the bottom cover
 • Then, to the top cover